



# SUZUKI MARINE

Parts Book

Cabrea

EL 9.9



(732) 264-7176

(800) 338-0645 FAX (732) 264-2472

[www.brownspoint.com](http://www.brownspoint.com)

PREFACE

When it becomes necessary to replace parts on CABREA OUTBOARD MOTORS, always use CABREA GENUINE PARTS which have passed a strict inspection which guarantees quality and performance.

This parts catalogue covers the list of all service parts for CABREA EL 9.9.

INSTRUCTIONS FOR QUOTING THE CATALOGUE

1. DIMENSIONS

Dimensions of the parts in this catalogue are indicated in unit millimeters.

2. ABBREVIATIONS

Abbreviations used in this catalogue are as follows:

- |         |                           |     |                    |
|---------|---------------------------|-----|--------------------|
| AR      | : As required             | NT  | : Number of teeth  |
| ASSY    | : Assembly                | OPT | : Optional         |
| E.No.   | : Engine number           | OS  | : Over size        |
| F.No.   | : Frame number            | STD | : Standard         |
| d       | : Diameter of material    | T   | : Thickness        |
| ID      | : Inside diameter         | US  | : Under size       |
| OD      | : Outside diameter        | W   | : Width            |
| L       | : Length                  | A,B | : Transom type     |
| LH      | : Left hand side          |     | A = SHORTSHAFT 15" |
| RH      | : Right hand side         |     | B = LONGSHAFT 20"  |
| ~123456 | : Up to F.No.00993-123456 |     |                    |
| 123456- | : From F.No.00993-123456  |     |                    |

12 x 34 x 5.6 ..... Figures in the description column show the dimensions of parts.

ID OD T(or W,L)

3. INNER PARTS OF ASSEMBLY

Parts number that have a period (.) mark in front of the part description on a text page are separately serviced parts of the assembly.

4. MODIFICATION NOTICE

A parts bulletin will be sent to you on all occasions when changes in parts occur, including interchangeable modifications between new parts and old ones.

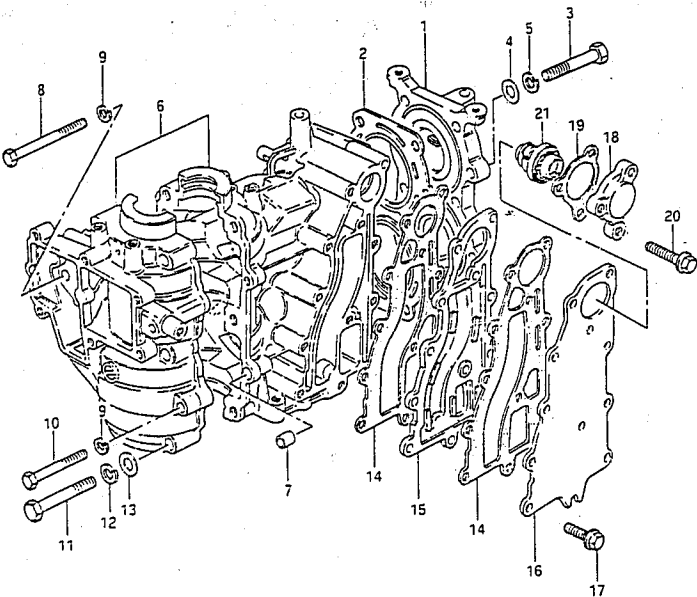
5. NOTE

- 5-1. There are some different parts from those of production models among spare parts for the administrative reasons and common use of them with other models.
- 5-2. In respect of rubber hoses and vinyl tubes, please be sure to use them by cutting off according to the length mentioned on parts catalogue or what is actually required on the vehicle.
- 5-3. Note that the drawings on the illustration page are for ready reference of spare parts number, not to be used as an assembly manual. When assembling, use "CABREA SERVICE MANUAL".

6. ENGINE NUMBER

CABREA EL 9.9 : 00993-832286-

FIG.1

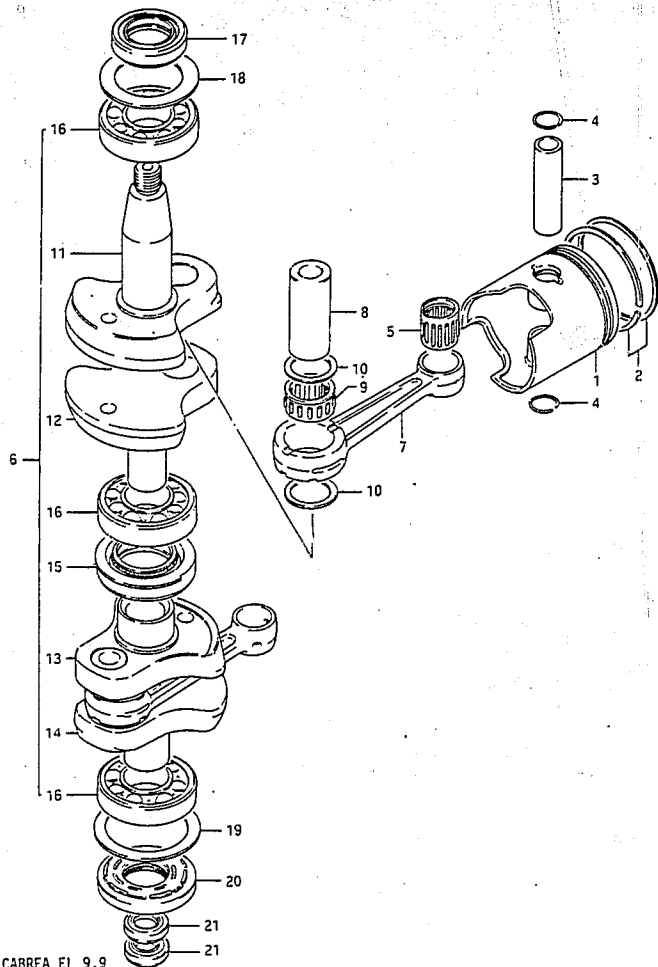


1

FIG.1 ( 8- 2) CYLINDER

REF.NO.	PART NO.	DESCRIPTION	Q TY	REMARKS
1	11110-93930-10V	CYLINDER HEAD (Silver)	1	
2	11141-93901	GASKET, cylinder head	1	
3	01107-08402	BOLT	10	
4	08322-21082	WASHER	10	
5	08321-21062	LOCK WASHER	10	
6	11301-93931-10V	CYLINDER ASSY (Silver)	1	
7	04211-09109	.KNOCK PIN	2	
8	01107-06652	.BOLT (6x65)	2	
9	08321-21062	.LOCK WASHER	4	
10	01107-06452	.BOLT	2	
11	01107-08452	.BOLT	6	
12	08321-21082	.LOCK WASHER	6	
13	08322-11082	.WASHER	6	
14	14151-93901	GASKET, exhaust cover	2	
15	14131-93900	PLATE, exhaust cover	1	
16	14141-93951-10V	COVER, exhaust	1	
17	01517-06252	BOLT	9	
18	17681-93951-10V	COVER, thermostat	1	
19	17685-93950	GASKET, thermostat cover	1	
20	01517-06352	BOLT	3	
21	17670-93962	THERMOSTAT (50°C)	1	
22	11400-93895	GASKET SET	1	OPT

FIG.2



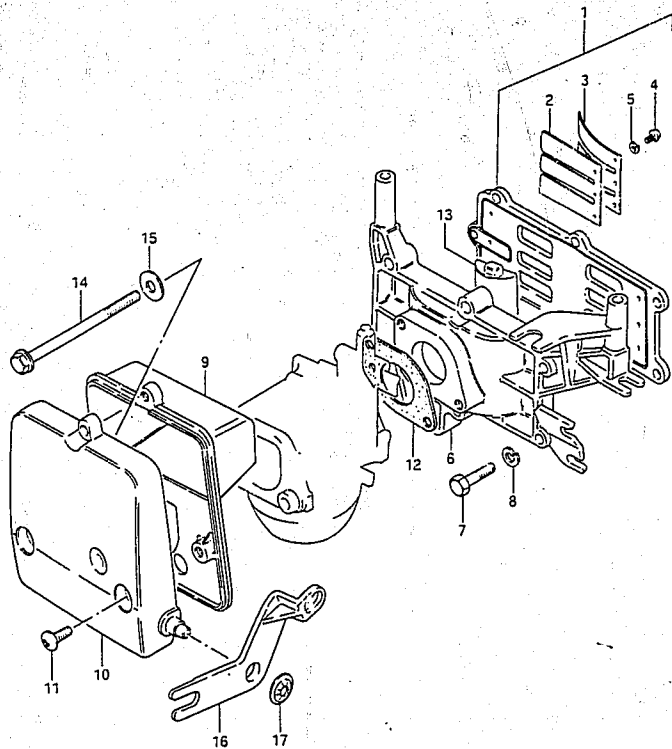
CABREA EL 9.9

FIG.2 ( B- 3) CRANKSHAFT

REF.NO.	PART NO.	DESCRIPTION	Q'TY	REMARKS
1-1	12110-93130	PISTON	2	
1-2	12110-93130-025	PISTON (OS:0.25)	2	OPT
1-3	12110-93130-050	PISTON (OS:0.50)	2	OPT
2-1	12140-93121	RING SET, piston	2	
2-2	12140-93121-025	RING SET, piston (OS:0.25)	2	OPT
2-3	12140-93121-050	RING SET, piston (OS:0.50)	2	OPT
3	12151-93100	PIN, piston	2	
4	09381-14001	SNAP RING	4	
5	09263-14019	BEARING (14x18x19.8)	2	
6	12200-93904	CRANKSHAFT ASSY	1	
7	12161-93902	.ROD, connecting	2	
8	12211-93900	.PIN, crank	2	
9	09263-20051	.BEARING	2	
10	09160-20052	.THRUST WASHER	4	
11	12221-93902	.CRANKSHAFT, upper	1	
12	12231-93901	.WHEEL, middle upper	1	
13	12232-93900	.WHEEL, middle under	1	
14	12240-93900	.CRANKSHAFT, under	1	
15	09289-30008	.OIL SEAL	1	
16	09262-25078	.BEARING (25x52x15)	3	
17	09283-25035	OIL SEAL (25x40x7)	1	
18	09160-36003	THRUST WASHER	1	
19	09160-46004	THRUST WASHER	1	
20	09283-25075	OIL SEAL (24x52x7)	1	
21	09282-12002	OIL SEAL (12.8x25x7)	2	

CABREA EL 9.9

FIG.3

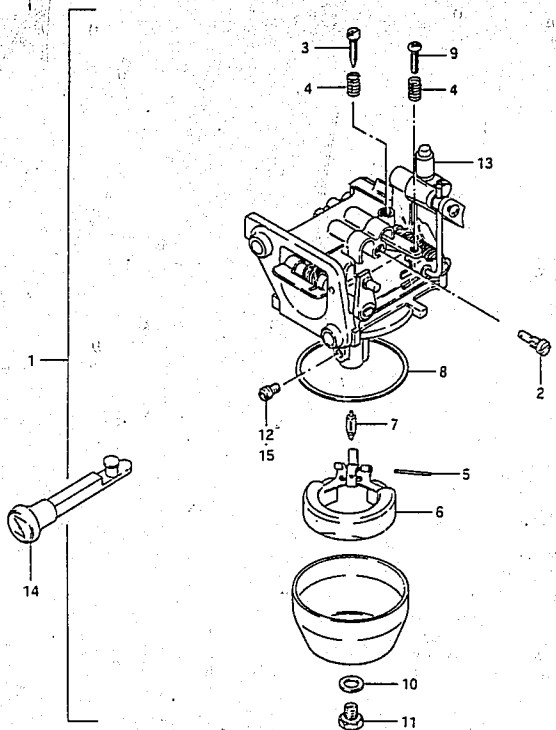


3

FIG.3 ( B-4) INLET CASE

REF.NO.	PART NO.	DESCRIPTION	Q'TY	REMARKS
1	13150-93920	REED VALVE ASSY	1	
2	13153-93900	.REED VALVE	2	
3	13152-93920	.STOPPER, reed valve	2	
4	02112-03062	.SCREW	6	
5	08321-21062	.LOCK WASHER	6	
6	12481-93911-10V	CASE, inlet (Silver)	1	
7	01107-06352	BOLT	6	
8	08321-21062	LOCK WASHER	6	
9	13811-93950	CASE, silencer	1	
10	13812-93900	COVER, silencer	1	
11	03242-05169	SCREW	3	
12	13125-93950	GASKET, carburetor	1	
13	12485-93900	PIECE, inlet case	1	
14	01517-06902	BOLT	2	
15	09160-06066	WASHER (6.5x20x1.6)	2	
16	13633-93900	LEVER, choke	1	
17	09148-06008	NUT	1	

FIG.4

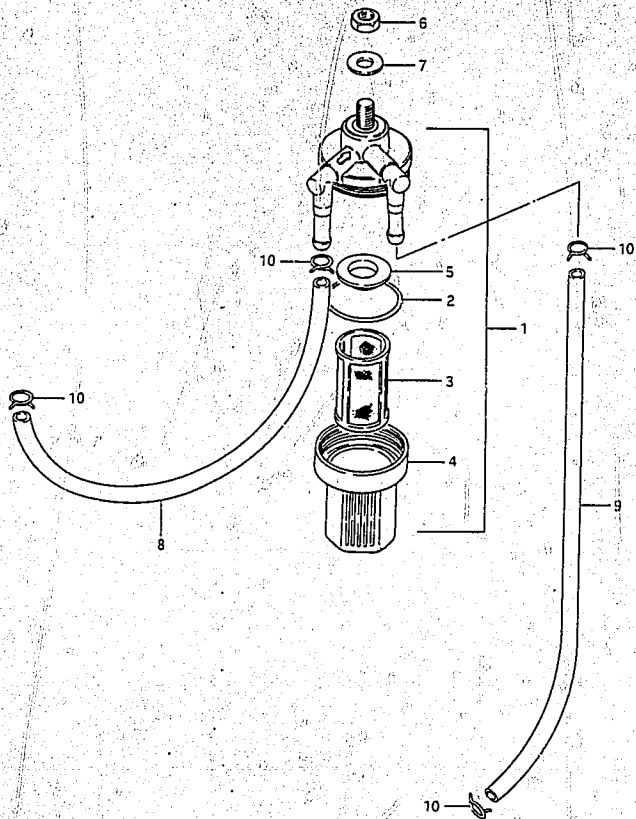


4

FIG.4 ( B-5) CARBURETOR

REF.NO.	PART NO.	DESCRIPTION	Q'TY	REMARKS
1	13200-91D10	CARBURETOR ASSY	1	
2	09492-62001	.JET, pilot (#62.5)	1	
3	13661-93900	.SCREW, pilot	1	
4	13268-96110	.SPRING, throttle	2	
5	13254-98100	.PIN, float	1	
6	13250-98110	.FLOAT	1	
7	13371-98100	.NEEDLE	1	
8	13251-98100	.GASKET, float chamber	1	
9	13267-93900	.SCREW, throttle stop	1	
10	13343-98100	.GASKET	1	
11	13613-98100	.BOLT	1	
12	09491-22013	.JET, main (#110)	1	
13	13521-93910	.RING	1	
14	13631-93900	KNOB, choke lever	1	
15-1	09491-23012	JET, main (#115)	1	OPT
15-2	09491-20010	JET, main (#100)	1	OPT
15-3	09491-95008	JET, main (#95)	1	OPT

FIG.5



5

FIG.5 ( B- 6) FUEL PUMP

REF.NO.	PART NO.	DESCRIPTION	Q'TY	REMARKS
1	15410-93400	FILTER, fuel	1	
2	15415-93400	.O RING	1	
3	15412-93400	.STRAINER	1	
4	15413-93400	.CUP	1	
5	15416-93400	.PACKING, filter	1	
6	08310-22082	NUT	1	
7	08322-21082	WASHER	1	
8	09352-50903-540	HOSE (CONNECTOR to FILTER)	1	L:540+127
9	09352-50903-540	HOSE (FILTER to PUMP)	1	L:540+270
10	09401-08410	CLIP	4	

FIG.6

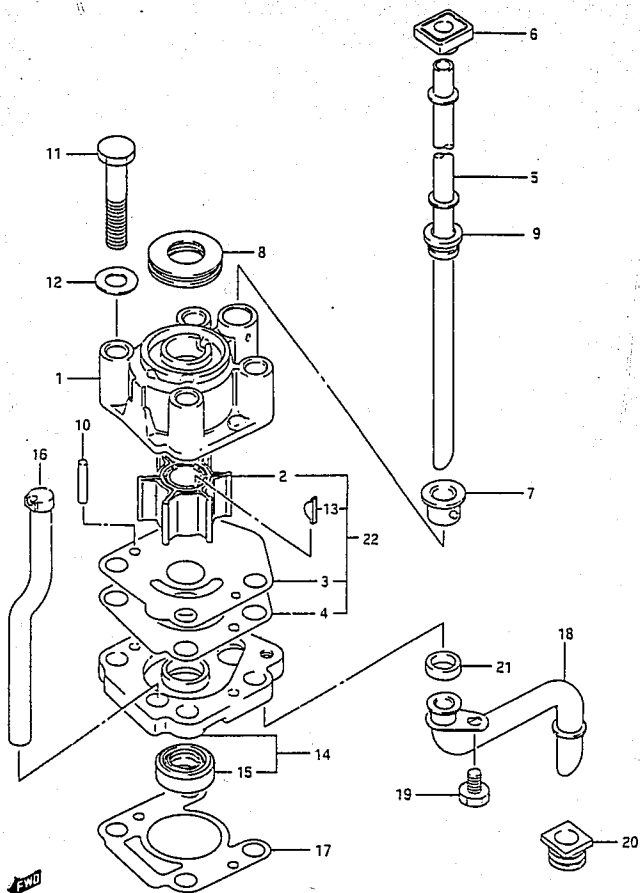


FIG.6 ( B- 7) WATER PUMP

REF.NO.	PART NO.	DESCRIPTION	Q'TY	REMARKS
1	17411-93901	CASE, water pump	1	
2	17461-93901	IMPELLER, water pump	1	
3	17471-93902	PANEL, pump case, under	1	
4	17472-93901	GASKET, case under	1	
5-1	17561-93910	TUBE, water (A)	1	A= SHORTSHAFT 15"
5-2	17561-93900	TUBE, water (B)	1	B= LONGSHAFT 20"
6	17563-93900	RUBBER, water tube, upper	1	
7	17564-93900	BUSH, water pump case	1	
8	17417-93900	GROMMET, pump case	1	
9	17562-93900	GROMMET	1	
10	09202-04014	PIN	2	
11	09100-08222	BOLT (8x55)	4	
12	09160-08015	WASHER (8.5x16x1.2)	4	
13	17462-93990	KEY	1	
14	17450-93910	HOUSING, water inlet	1	
15	09289-12003	.OIL SEAL	1	
16	17453-93900	.DRAIN, water inlet	1	
17	17452-93901	GASKET	1	
18	17520-93900	TUBE, water Inlet	1	
19	09100-06106	BOLT	1	
20	09308-10010	GROMMET	1	
21	09308-10011	GROMMET	1	
22	17400-93950	REPAIR KIT, water pump	1	OPT



FIG. 7

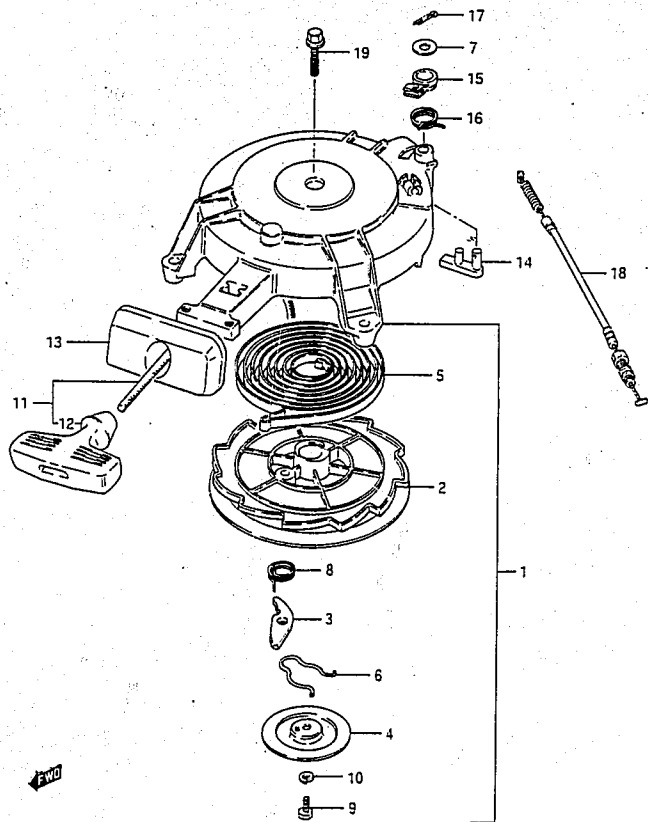
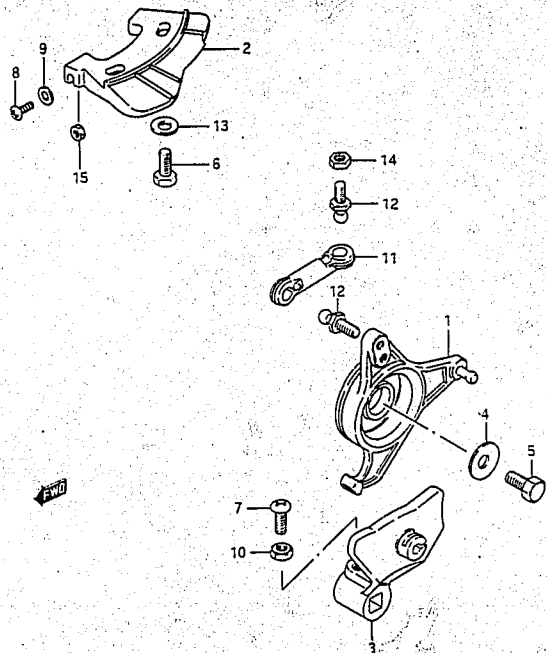


FIG. 7 ( B- 8) STARTER

REF.NO.	PART NO.	DESCRIPTION	Q'TY	REMARKS
1	18100-93901	STARTER, recoil	1	
2	18120-93900	.DRUM, sheave	1	
3	18131-93900	.PAWL, drive	1	
4	18151-93900	.PLATE	1	
5	18142-93900	.SPRING	1	
6	18153-93900	.SPRING	1	
7	18335-96300	.WASHER	1	
8	18155-88520	.SPRING	1	
9	01107-06166	.BOLT	1	
10	08321-31067	.LOCK WASHER	1	
11	18200-93900	.GRIP ASSY	1	
12	18210-93001	..GRIP	1	
13	18181-93900	.GUIDE, rope	1	
14	18281-96300	.REEL, stopper	1	
15	18282-93900	.ARM, stopper	1	
16	18284-93900	.SPRING	1	
17	18348-96300	.PIN	1	
18	18292-93900	.CABLE NSI (L:315)	1	
19	01517-06302	BOLT	3	

FIG. 8



8

FIG. 8 ( 8- 9) THROTTLE CONTROL

REF.NO.	PART NO.	DESCRIPTION	Q'TY	REMARKS
1	19121-93901	LEVER, throttle	1	
2	19141-93901	CAM, throttle	1	
3	19811-93900	LIMITER, throttle	1	
4	09160-06046	WASHER (6.5x20x1.5)	1	
5	01107-06122	BOLT	1	
6	01107-05162	BOLT	2	
7	02112-05162	SCREW	1	
8	02112-05202	SCREW	1	
9	08322-21057	WASHER	1	
10	08310-11052	NUT	1	
11	19132-94501	CONNECTOR	1	
12	09119-05010	PAWL PIVOT	2	
13	08322-21052	WASHER	2	
14	09140-05001	NUT	1	
15	08310-11052	NUT	1	

FIG. 9

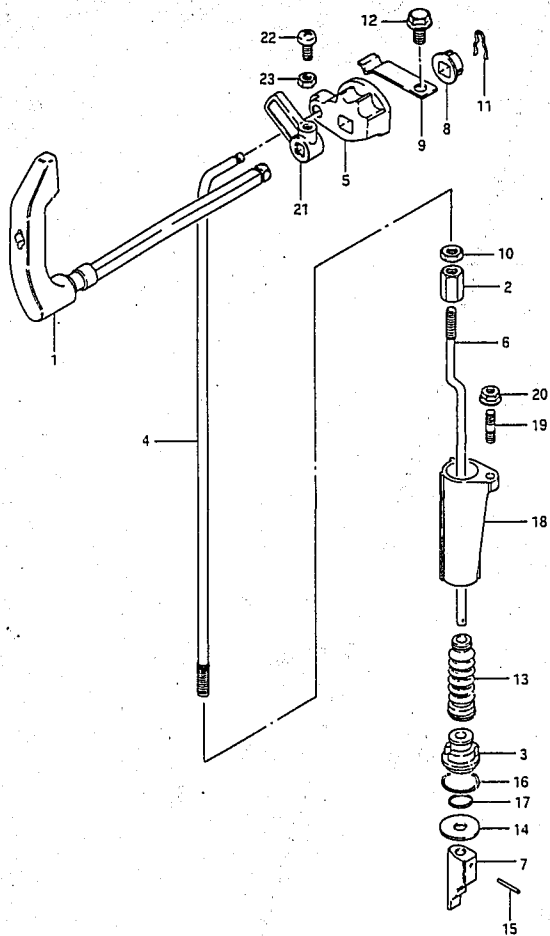
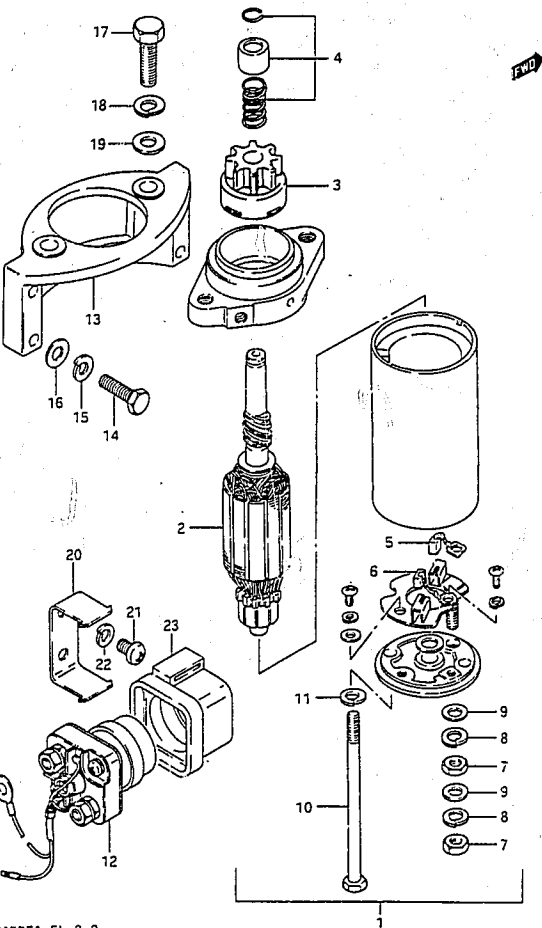


FIG. 9 ( B-10) CLUTCH

REF.NO.	PART NO.	DESCRIPTION	Q'TY	REMARKS
1	21110-93912	LEVER, clutch	1	
2	23311-94300	TURNBUCKLE, clutch rod	1	
3	25211-93900	GUIDE, shift rod	1	
4	23111-93901	ROD, clutch	1	
5	23211-93900	ARM, clutch rod	1	
6-1	25111-93910	ROD, shift (A) L:245	1	A= SHORTSHAFT 15"
6-2	25111-93900	ROD, shift (B) L:372	1	B= LONGSHAFT 20"
7	25311-93900	CAM, shift	1	
8	21220-93900	BUSH, clutch lever	1	
9	23213-93900	SPRING, notch plate	1	
10	09140-06004	NIJ	1	
11	09384-06003	SNAP RETAINER	1	
12	01517-06128	BOLT	1	
13	25222-93901	BOOT, shift rod	1	
14	09160-05005	WASHER (5.5x24x1.6)	1	
15	09205-02006	SPRING PIN	2	
16	09280-05005	O RING	1	
17	09280-19006	O RING	1	
18	25205-93901	COLLAR, shift rod	1	
19	09108-05007	STUD BOLT	1	
20	09159-05015	NUT	1	
21	21313-93900	ARM, electrical NS1	1	
22	02112-05162	SCREW	1	
23	08310-11052	NUT	1	

FIG. 10



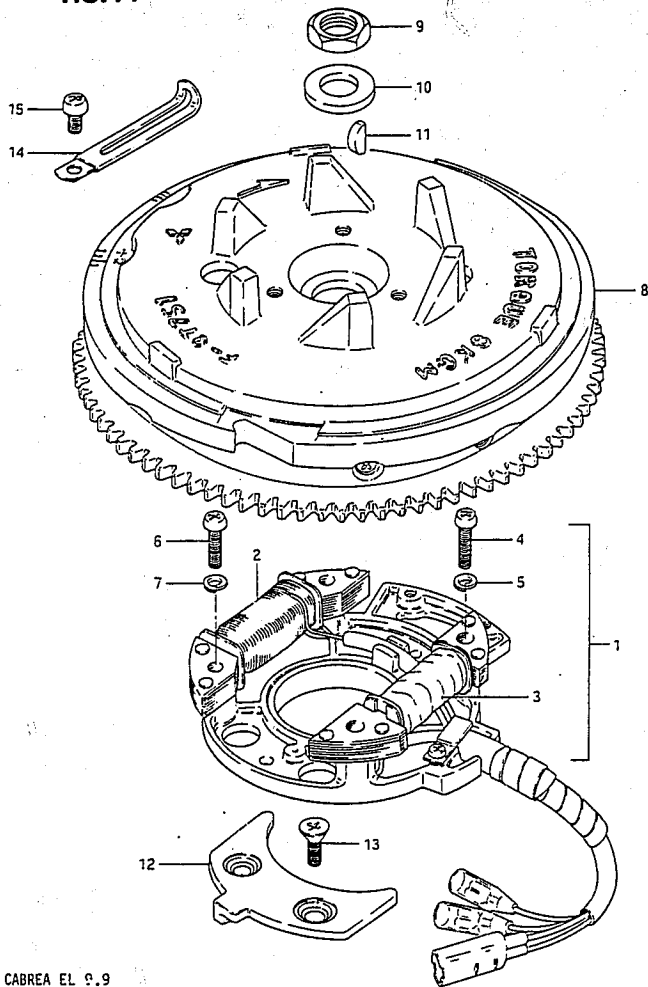
10

FIG. 10 ( C- 2) STARTING MOTOR

Q'TY

REF.NO.	PART NO.	DESCRIPTION	Q'TY	REMARKS
1	31100-93531	MOTOR ASSY, starting	1	
2	31311-93530	.ARMATURE, starter	1	
3	31320-93530	.PINION ASSY	1	
4	31312-93530	.STOPPER SET, pinion	1	
5	31131-93530	..BRUSH, (+)	1	
6	31132-93530	..BRUSH, (-)	1	
7	08310-22067	.NUT	2	
8	08321-21067	.LOCK WASHER	2	
9	08322-21067	.WASHER	2	
10	31281-93530	.BOLT, starter housing	2	
11	08321-21057	.LOCK WASHER	2	
12	31800-94400	RELAY, starter	1	
13	31911-93902-10V	BRACKET, starter	1	
14	01107-06252	BOLT	4	
15	08321-21062	LOCK WASHER	4	
16	08322-11062	WASHER	4	
17	01107-08252	BOLT	2	
18	08321-21082	LOCK WASHER	2	
19	08322-11082	WASHER	2	
20	31805-95501	BRACKET, motor relay	1	
21	02112-05082	SCREW	2	
22	08321-21052	LOCK WASHER	2	
23	38422-94510	DAMPER, starter relay	1	

FIG. 11



11

FIG. 11 ( C- 3) MAGNETO

REF.NO.	PART NO.	DESCRIPTION	Q'TY	REMARKS
1-1	32101-93912	STATOR ASSY	1	ELECTRIC STARTER
1-2	32101-93922	STATOR ASSY	1	MANUAL STARTER
2	32200-93901	.COIL, lighting	1	
3	32140-93900	.COIL, ignition primary	1	
4	02112-06258	.SCREW	2	
5	08321-21067	.LOCK WASHER	2	
6	02112-04068	.SCREW	2	
7	08321-21047	.LOCK WASHER	2	
8-1	32102-93913	ROTOR	1	ELECTRIC STARTER
8-2	32102-93903	ROTOR	1	MANUAL STARTER
9	09140-14000	NUT	1	
10	09160-14029	WASHER	1	
11	08341-31049	KEY	1	
12	32390-93900	RETAINER, magneto stator	2	
13	02122-06167	SCREW	4	
14	09404-06205	CLAMP	1	
15	02112-06128	SCREW	1	

FIG. 12

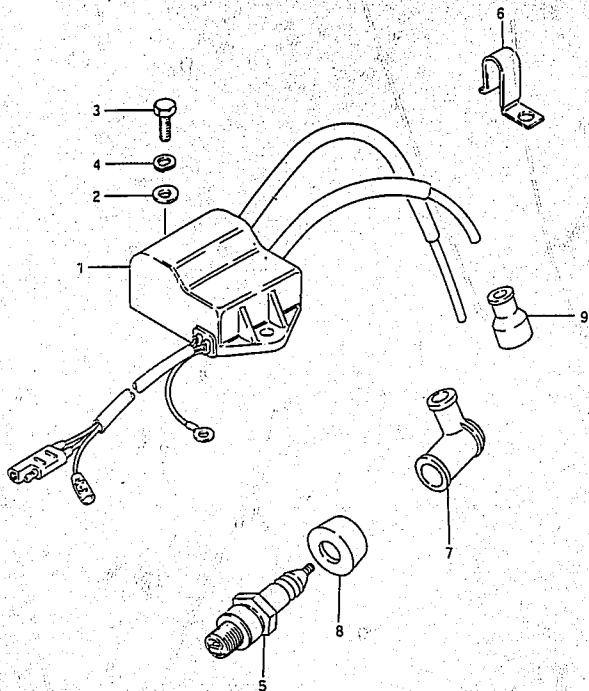


FIG. 12 ( C- 4) IGNITION

REF.NO.	PART NO.	DESCRIPTION	Q'TY	REMARKS
1	32900-93901	CDI UNIT	1	
2	08322-21067	WASHER	2	
3	01107-06207	BOLT	2	
4	08321-21067	LOCK WASHER	2	
5	09482-00338	SPARK PLUG, B6HS	2	
6	09403-11307	CLAMP	1	
7	33510-22010	CAP, plug	2	
8	33541-93950	SEAL, plug	2	
9	33542-98000	SEAL, high tension cord	2	

FIG. 13

13

FIG.13 ( C- 5) ELECTRICAL (1) (ELECTRIC STARTER)

Q'TY

REMARKS

REF.NO.	PART NO.	DESCRIPTION	Q'TY	REMARKS
1	32800-95D01	RECTIFIER ASSY	1	
2	02112-05252	SCREW	1	
3	08321-21052	LOCK WASHER	1	
4	33810-93900	CABLE ASSY, starter	1	
5	33811-96300	GROMMET, starter cable	1	
6	33820-93900	CABLE ASSY, plus term to relay	1	
7	36740-93900	CASE ASSY, fuse	1	
8	33816-96300	CLAMP, TWO cable	1	
9	03242-06259	SCREW	1	
10	01107-06167	BOLT	1	
11	08321-21067	LOCK WASHER	1	
12	33833-95500	TUBE, trim relay cable	1	
13	36610-93901	WIRE HARNESS, ME	1	
14	37160-93910	SWITCH ASSY, start	1	
15	37861-95200	.NUT	1	

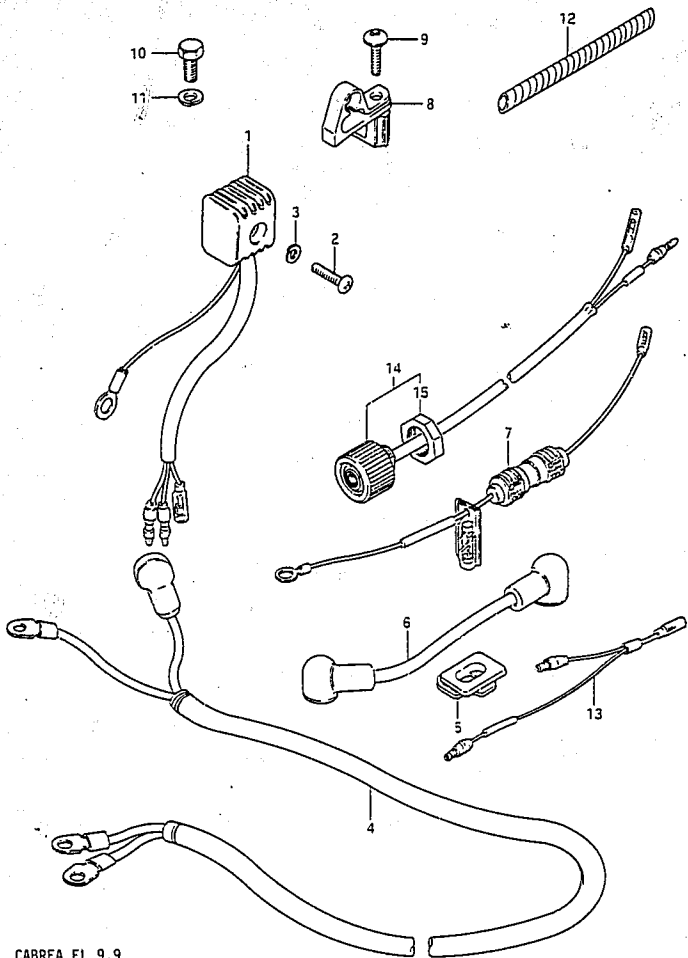


FIG.14

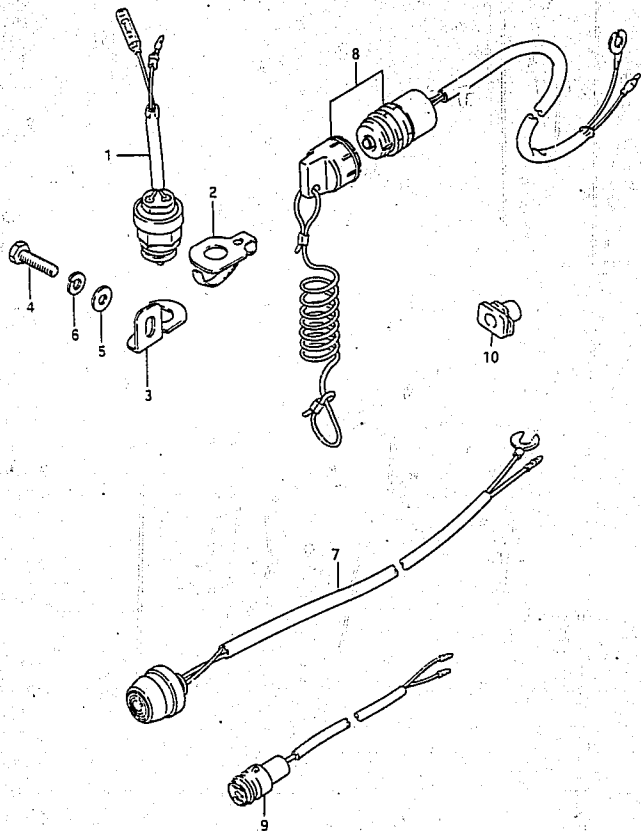
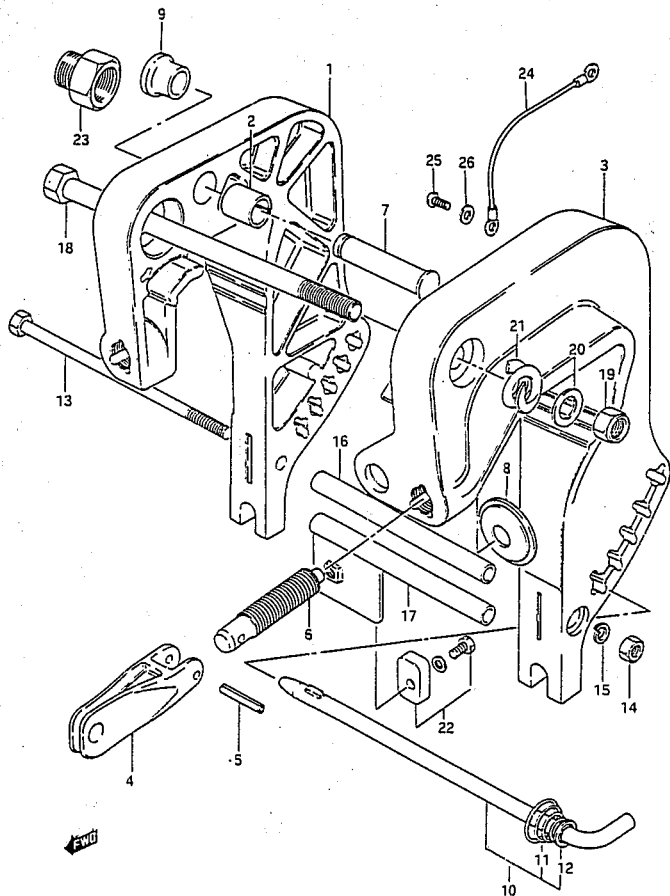


FIG.14 ( . C- 6) ELECTRICAL (2)

REF.NO.	PART NO.	DESCRIPTION	Q'TY	REMARKS
1	37721-93902	SWITCH ASSY, neutral	1	ELECTRIC STARTER
2	37725-94302	ACTUATOR, neutral switch	1	ELECTRIC STARTER
3	37726-93902	BRACKET, neutral switch	1	ELECTRIC STARTER
4	09100-06131	BOLT (6x12)	1	ELECTRIC STARTER
5	09160-06090	WASHER (6.5x13x1)	1	ELECTRIC STARTER
6	09162-06001	LOCK WASHER	1	ELECTRIC STARTER
7	37800-93910	SWITCH ASSY, stop	1	
8	37820-98120	SWITCH ASSY, emergency	1	
9	39601-93902	RECEPTACLE ASSY, lighting	1	MANUAL STARTER
10	39603-93900	GROMMET, receptacle cable	1	MANUAL STARTER



FIG. 15

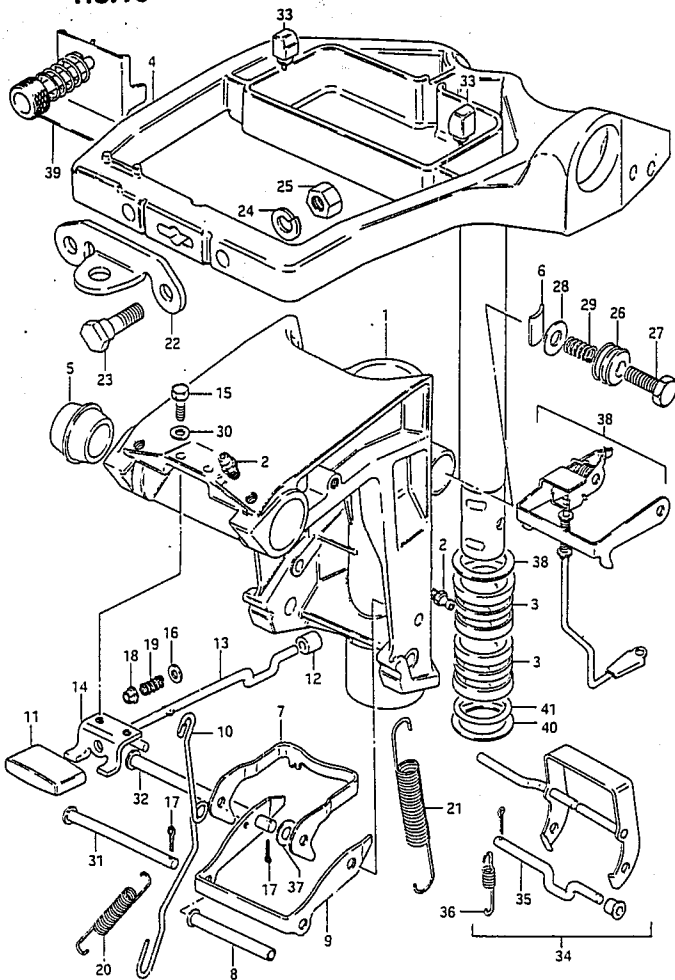


15

FIG. 15 ( C- 7) CLAMP BRACKET

REF.NO.	PART NO.	DESCRIPTION	Q'TY	REMARKS
1	41100-93810-10V	BRACKET, clamp STBD	1	
2	09303-14003	.BUSH	1	
3	41120-93950-10V	BRACKET, clamp PORT	1	
4	41212-93000-10V	HANDLE, clamp	2	
5	09205-06012	SPRING PIN	2	
6-1	41211-93910	SCREW, clamp, L:78	2	
6-2	41211-93910	SCREW, clamp, L:78	2	OPT
6-3	41211-93920	SCREW, clamp, L:90	2	OPT
6-4	41211-93900	SCREW, clamp, L:68	2	OPT
7	41222-93910	PIN, tilt stopper	1	
8	41213-98100	PLATE, clamp	2	
9	41221-96300	KNOB, tilt stopper	1	
10	45420-93900	PIN, tilt lock	1	
11	09441-17001	.SPRING	1	
12	09383-07001	.E RING	1	
13	09100-06105	BOLT	1	
14	09140-06020	NUT	1	
15	09162-06006	LOCK WASHER	1	
16	09180-06163	SPACER	1	
17	41310-93900	ROD	1	
18	09100-10199	BOLT	1	
19	09159-10050	NUT	1	
20	09160-10082	WASHER	1	
21	09440-22008	SPRING	1	
22	55320-95310	ZINC SET, protection	1	
23	41141-94300	ATTACHMENT, steering cable	1	OPT
24	36894-95200	LEAD	1	
25	09125-05050	SCREW	2	
26	09161-05014	WASHER	2	

FIG. 16



CABREA EL 9.9

FIG.16 ( C - 8 ) SWIVEL BRACKET

REF.NO.	PART NO.	DESCRIPTION	Q'TY	REMARKS
1	43111-93911-10V	BRACKET, swivel	1	
2	22511-99003	NIPPLE, grease	3	
3	43711-93901	BUSH, steering	2	
4	43750-93904-10V	BRACKET, steering	1	
5	09306-10012	BUSH	2	
6	43411-93900	ADJUSTER, steering	1	
7	45231-93902	ARM, reverse lock	1	
8	45246-93902	SPACER, reverse lock arm	1	
9	45241-93901	LINK, reverse lock arm	1	
10	45252-93901	LINK, release lever	1	
11	45255-96300	KNOB, release lever	1	
12	45257-93900	BUSH, release lever	1	
13	45260-96300	LEVER, release	1	
14	45311-93900-10V	BRACKET, release lever	1	
15	09100-05011	BOLT (5x12)	2	
16	09160-04012	WASHER (4.2x10x1)	1	
17	09204-01001	COTTER PIN	2	
18	09319-04001	BUSH	1	
19	09440-04021	SPRING	1	
20	09443-05013	SPRING	1	

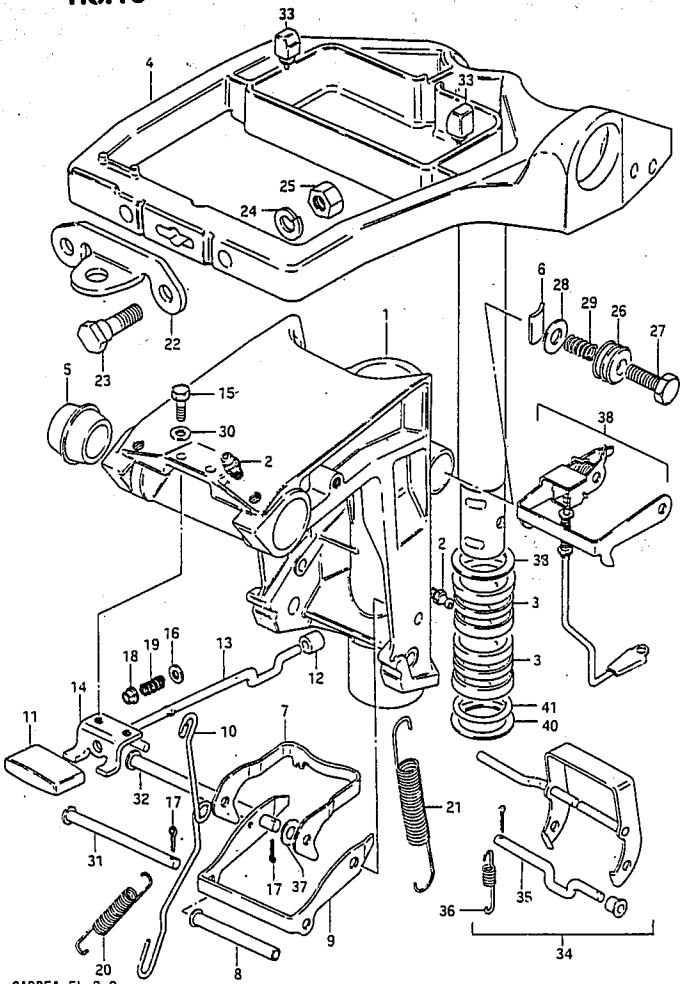
CABREA EL 9.9

FIG.16

FIG.16 ( C- 9) SWIVEL BRACKET

Q'TY

REMARKS

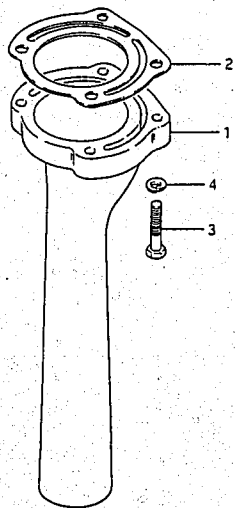
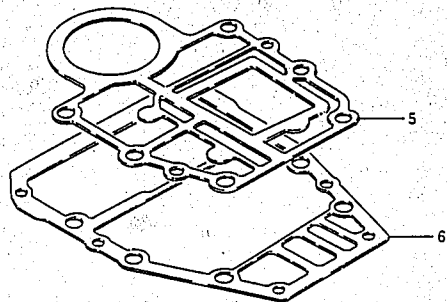


REF.NO.	PART NO.	DESCRIPTION	Q'TY	REMARKS
21	09443-11019	SPRING	2	
22	43755-93900	ATTACHMENT, bracket	1	OPT
23	09100-08224	BOLT (8x35)	2	OPT
24	09162-08003	LOCK WASHER	2	OPT
25	09140-08016	NUT	2	OPT
26	43412-93900	COVER, adjuster	1	
27	09100-08232	BOLT	1	
28	09160-08082	WASHER (6.5x16x1.2)	1	
29	09440-11022	SPRING	1	
30	09160-05010	WASHER (5.5x10x0.8)	2	
31	09200-05014	PIN	1	
32	09200-06061	PIN	1	
33	43765-93900	CUSHION	2	
34	45700-93900	SHALLOW DRIVE ASSY	1	
35	09204-01001	.PIN, shallow drive arm shaft	2	
36	09443-08031	.SPRING,shallow drive arm	1	
37	09160-D6082	WASHER	1	
38	45200-93901	REVERSE LOCK SET	1	OPT
LEFT-BLANK INTENSIONALLY				
40	09160-27009	WASHER	2	
41	09280-27004	O RING	1	

FIG. 17

18

FIG. 17 ( C-10) EXHAUST TUBE



REF.NO.	PART NO.	DESCRIPTION	Q'TY	REMARKS
1	14211-93900	TUBE, exhaust	1	
2	14213-93900	GASKET, exhaust tube	1	
3	09100-06121	BOLT (6x30)	4	
4	09162-06006	LOCK WASHER	4	
5	11433-93901	GASKET, unifor oil seal	1	
6	52113-93901	GASKET, drive shaft	1	

FIG. 18

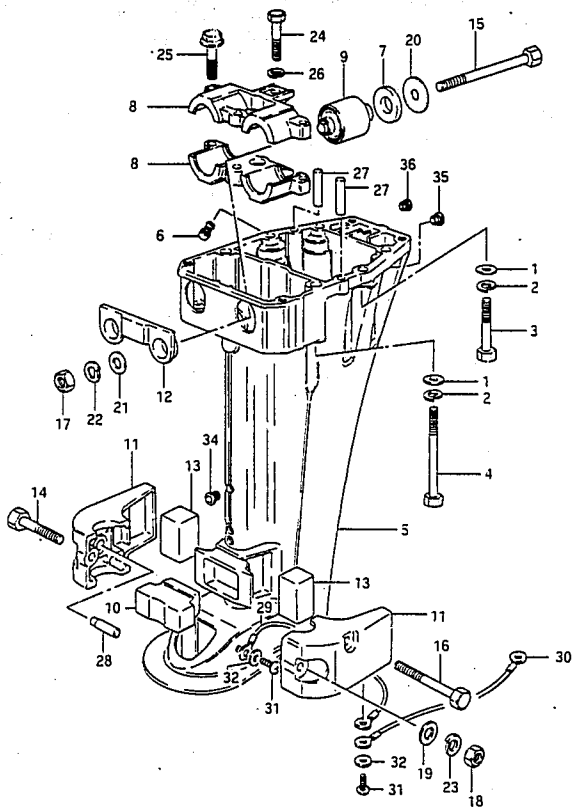
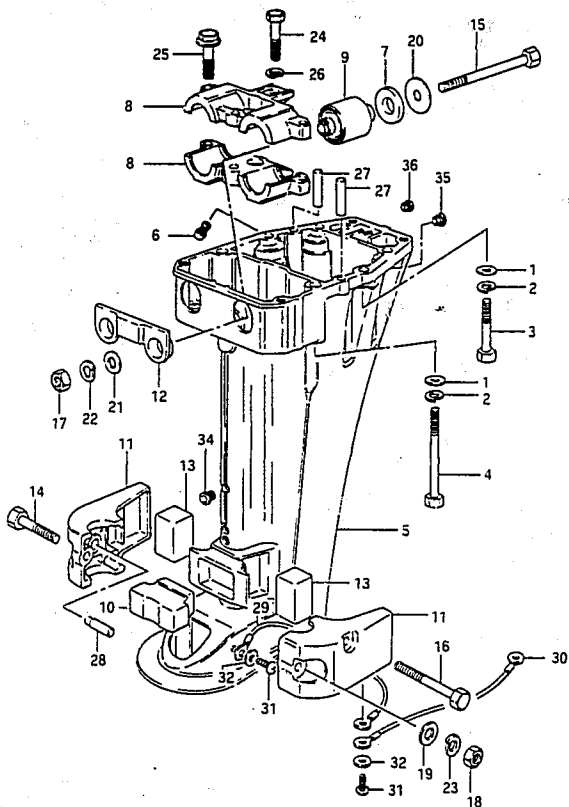


FIG. 18 ( C-11) DRIVESHAFT HOUSING

REF.NO.	PART NO.	DESCRIPTION	Q'TY	REMARKS
1	09160-08015	WASHER (6.5x13x1)	6	
2	09162-08003	LOCK WASHER	6	
3	09100-08214	BOLT (8x50)	4	
4	09100-08197	BOLT (8x85)	2	
5-1	52111-93932-10V	HOUSING, drive shaft (A)	1	A= SHORTSHAFT 15"
5-2	52111-93922-10V	HOUSING, drive shaft (B)	1	B= LONGSHAFT 20"
6	52117-94400	TUBE, water insp	1	
7	54121-93910	CUSHION, upper mount	2	
8	54137-93901	COVER, upper mounting	2	
9	54130-93910	MOUNT, upper	2	
10	54151-93900	MOUNT, lower thrust	1	
11	54210-93910-10V	COVER, lower mounting,STBD	1	
12	54125-93901	MOUNT, upper thrust reverse	1	
13	54167-93910	MOUNT, lower side	2	
14	09100-08220	BOLT	1	
15	09100-08209	BOLT	2	
16	09100-08210	BOLT	2	
17	09140-08016	NUT	2	
18	09140-08016	NUT	1	
19	09160-08082	WASHER (8.5x16x1.2)	3	
20	09160-08083	WASHER	2	
21	09160-08084	STOPPER	2	
22	09162-08007	LOCK WASHER	2	
23	09162-08007	LOCK WASHER	3	
24	09100-06112	BOLT	1	
25	09103-08111	BOLT	2	
26	09162-06001	LOCK WASHER	1	
27	09202-06019	KNOCK PIN	2	
28	54213-93900	PIN	2	

FIG.18



20

FIG.18 ( C-12) DRIVESHAFT HOUSING

REF.NO.	PART NO.	DESCRIPTION	Q'TY	REMARKS
29	36894-95200	LEAD, mount	1	L:165, L:210
30	36894-94400	LEAD, swivel	1	L:195
31	09125-05050	SCREW, lead	2	
32	09161-05014	WASHER, lead	2	
33	52124-93901	BUSH, drain hole, No.1	3	
34	52125-93900	BUSH, drain hole, No.2	1	
35	52126-93900	BUSH, drain hole, No.3	1	



FIG.19

21

FIG.19 ( D- 2 ) GEAR CASE

Q'TY

REMARKS

REF.NO.	PART NO.	DESCRIPTION	Q'TY	REMARKS
1	55100-93902-10V	CASE, gear	1	
2	09263-15019	.BEARING (15x21x12)	2	
3	09262-25003	.BEARING	1	
4	55321-93900	.ZINC, protection	1	
5	09100-06115	.BOLT (6x15)	1	
6	09160-06015	.WASHER (6.5x13x1)	1	
7	09100-08232	BOLT (8x30)	4	
8	09162-08003	LOCK WASHER	4	
9	09248-10005	PLUG	3	
10	09168-10022	GASKET (10x17x1.5)	3	
11	56120-93900-10V	HOUSING, propeller shaft	1	
12	08110-60050	.BEARING	1	
13	09280-57002	.O RING	1	
14	09289-17006	.OIL SEAL (16x30x6)	2	
15	09100-06103	BOLT (6x20)	2	
16	09162-06001	LOCK WASHER	2	
17-1	58100-93703-10V	PROPELLER, 3x9 1/4x7 (M700)	1	
17-2	58100-93713-10V	PROPELLER, 3x9 1/4x8 (M800)	1	
17-3	58100-93723-10V	PROPELLER, 3x9 1/4x10 (M1000)	1	
17-4	58100-93733-10V	PROPELLER, 3x9 1/4x9 (M900)	1	
17-5	58100-93743-10V	PROPELLER, 3x9 1/4x11 (M1100)	1	
18	58120-93701	.BUSH, propeller	1	

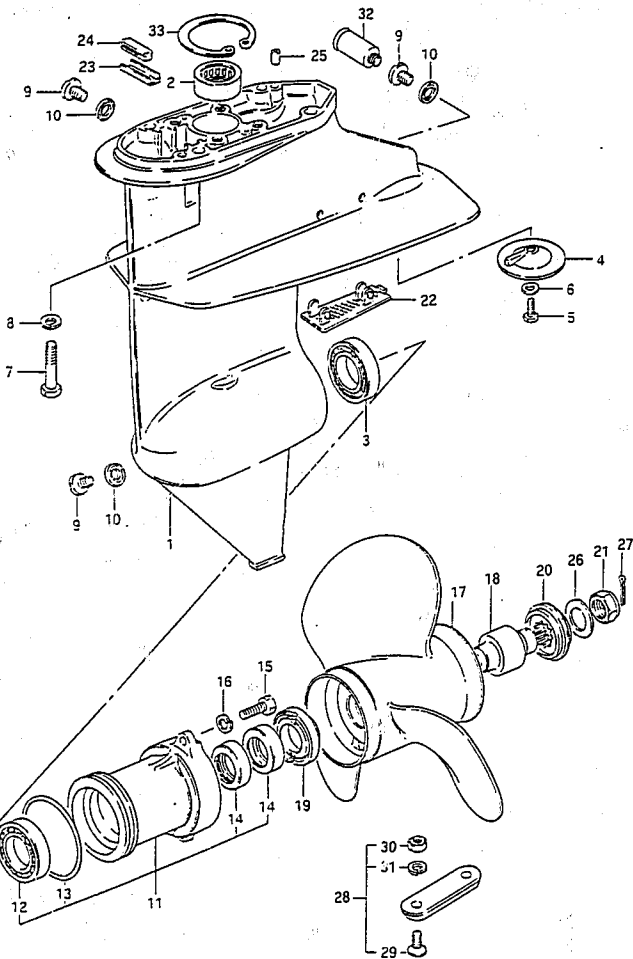
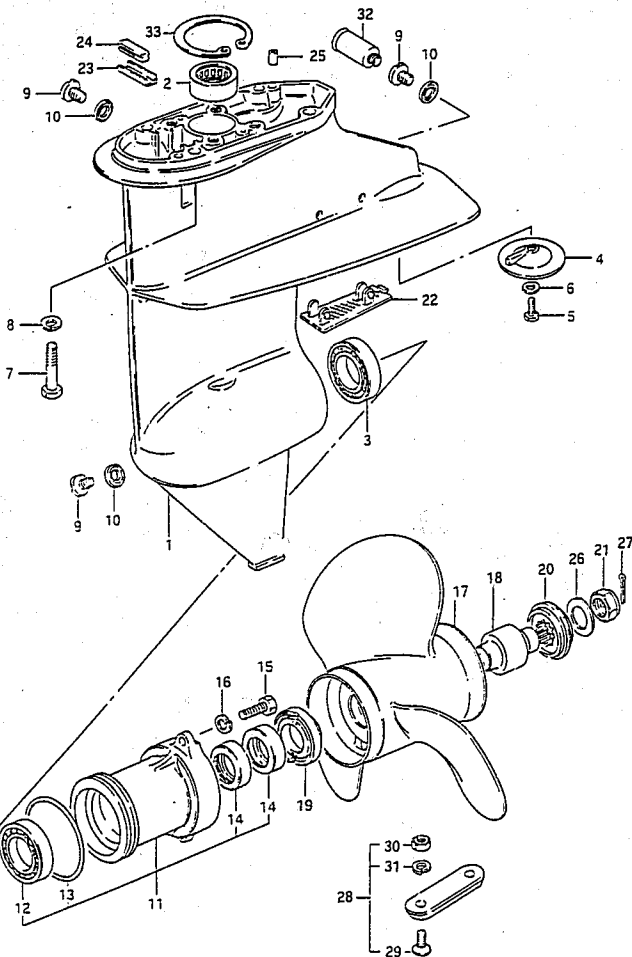


FIG. 19



22

FIG.19 ( D- 3) GEAR CASE

REF.NO.	PART NO.	DESCRIPTION	Q'TY	REMARKS
19	57632-93900	STOPPER, propeller bush	1	
20	57633-93900	SPACER, propeller nut	1	
21	09159-12014	NUT	1	
22	17631-93901	FILTER, water	1	
23	55331-93901	CORE, exhaust seal	1	
24	55332-93900	RUBBER, exhaust seal	1	
25	09202-06023	KNOCK PIN	2	
26	09160-12033	WASHER (12.5x22x2.5)	1	
27	09204-02004	COTTER PIN	1	
28	55300-95500	ZINC, protection	1	OPT
29	09126-06006	SCREW	2	
30	09140-06004	NUT	2	
31	09162-06001	LOCK WASHER	2	
32	55181-95200	ATTACHMENT, flush hose	1	OPT
33	08331-41329	CIRCLIP	1	



FIG. 20

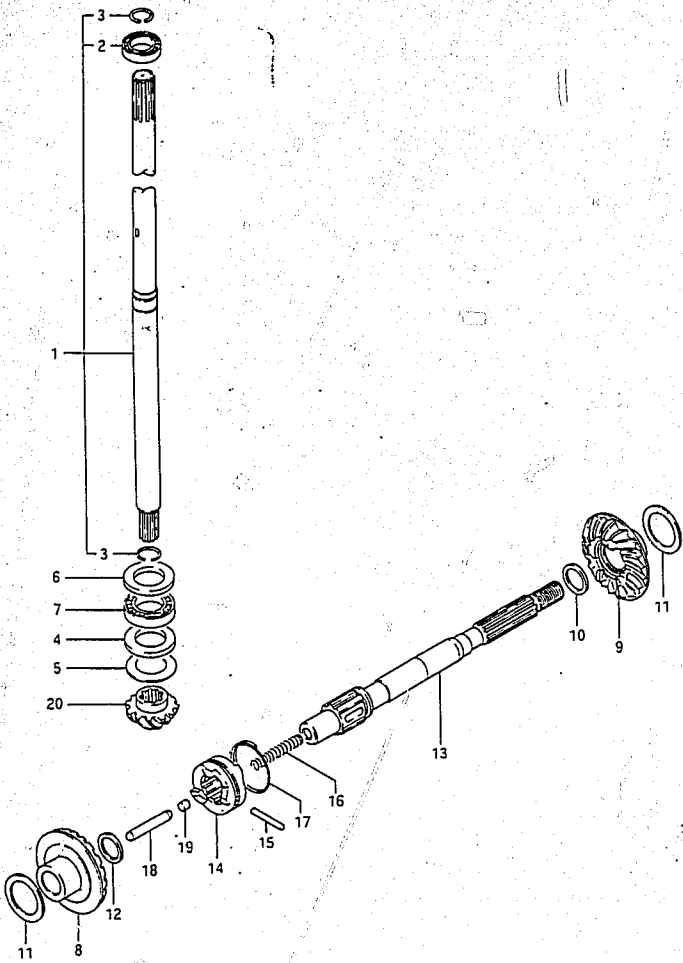


FIG. 20 ( D- 4) TRANSMISSION

REF. NO.	PART NO.	DESCRIPTION	Q'TY	REMARKS
1-1	57100-93910	SHAFT ASSY, drive (A)	1	A= SHORTSHAFT 15"
1-2	57100-93900	SHAFT ASSY, drive (B)	1	B= LONGSHAFT 20"
2	08110-60020	.BEARING	1	
3	09380-15001	.CIRCLIP	2	
4	09160-20027	WASHER (20x35x2.75)	1	
5-1	09160-20041	SHIM (T:1.0)	1	
5-2	09160-20042	SHIM (T:1.1)	1	
5-3	09160-20043	SHIM (T:1.2)	1	
5-4	09160-20044	SHIM (T:1.3)	1	
5-5	09181-20005	SHIM (T:0.7)	1	
5-6	09181-20006	SHIM (T:0.8)	1	
5-7	09181-20007	SHIM (T:0.9)	1	
6	09160-21009	WASHER (21x35x2.75)	1	
7	09263-20024	BEARING (20x35x4.5)	1	
8	57510-93902	GEAR, forward	1	
9	57521-93902	GEAR, reverse	1	
10-1	09160-17024	WASHER (T:1.1)	1	
10-2	09160-17039	WASHER (T:1.2)	1	
10-3	09160-17025	WASHER (T:1.3)	1	
10-4	09160-17040	WASHER (T:1.4)	1	
10-5	09160-17026	WASHER (T:1.5)	1	
10-6	09160-17041	WASHER (T:1.6)	1	
10-7	09160-17027	WASHER (T:1.7)	1	
10-8	09160-17042	WASHER (T:1.8)	1	
10-9	09160-17028	WASHER (T:1.9)	1	

FIG. 20

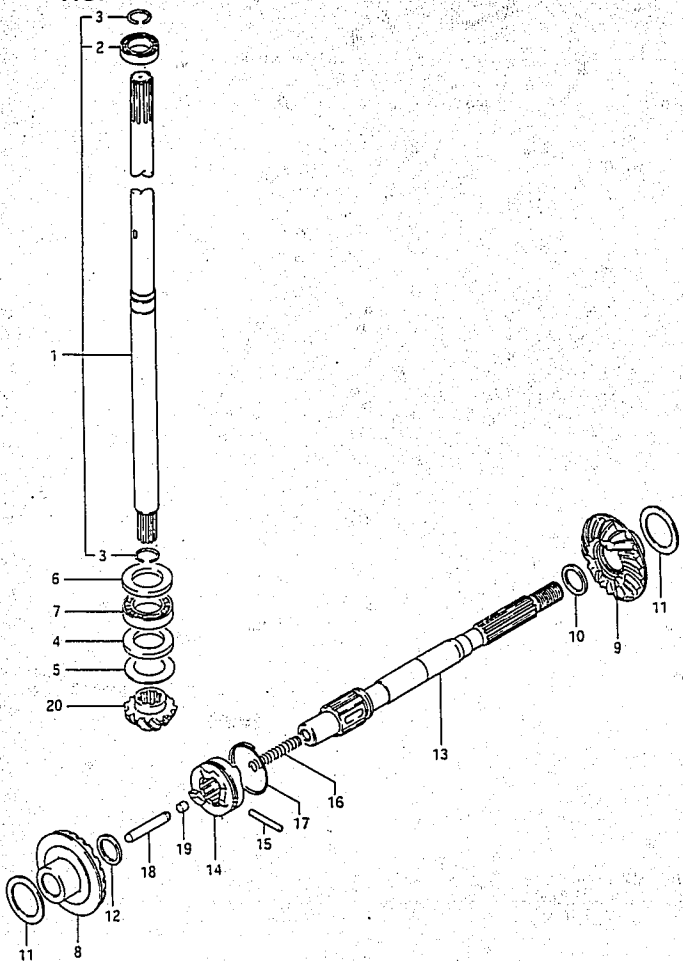


FIG.20 ( D- 5) TRANSMISSION

REF.NO.	PART NO.	DESCRIPTION	Q'TY	REMARKS
11-1	09160-25040	SHIM (T:1.0)	2	
11-2	09160-25041	SHIM (T:1.1)	2	
11-3	09160-25042	SHIM (T:1.2)	2	
11-4	09160-25043	SHIM (T:1.3)	2	
11-5	09181-25023	SHIM (T:0.7)	2	
11-6	09181-25024	SHIM (T:0.8)	2	
11-7	09181-25025	SHIM (T:0.9)	2	
12	08211-15222	THRUST WASHER (T:1.5)	1	
13	57610-93901	SHAFT, propeller	1	
14	57621-93902	SHIFTER, dog clutch	1	
15	09202-04015	PIN	1	
16	09440-05027	SPRING	1	
17	09440-32008	SPRING	1	
18	57631-93901	ROD, push	1	
19	57632-98500	PIN	1	
20	57311-93901	PINION	1	

FIG. 21

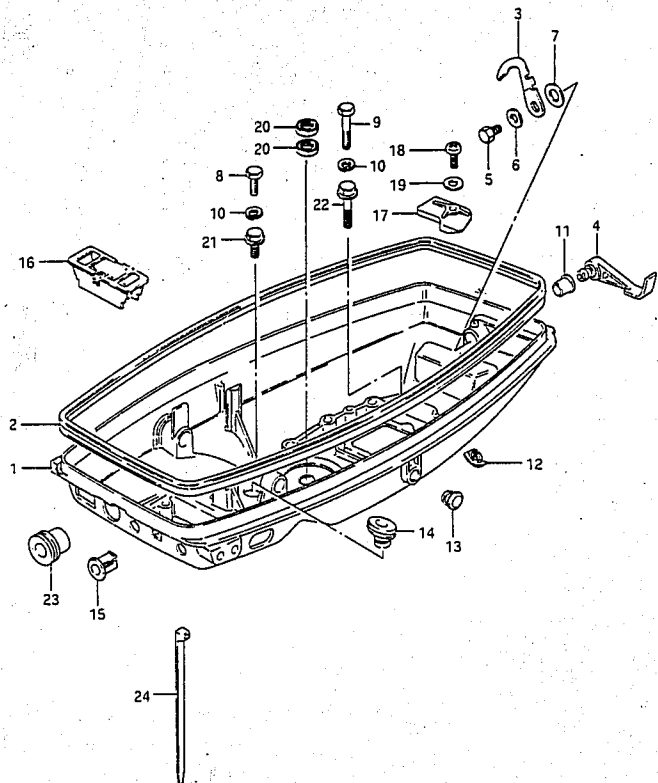
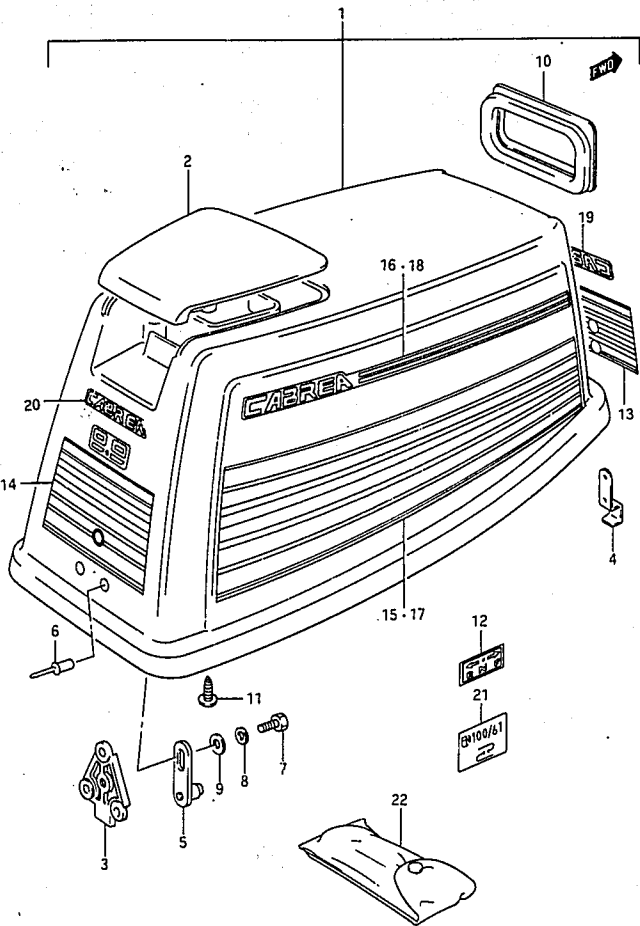


FIG. 21 ( D- 6) LOWER COVER

REF. NO.	PART NO.	DESCRIPTION	Q'TY	REMARKS
1	61111-93904-10V	COVER, engine under	1	
2	61112-93901	RUBBER, under cover	1	
3	61631-94410	RACK, under cover	1	
4	61633-93900-10V	LEVER, hook	1	
5	01107-06102	BOLT	1	
6	08322-21062	WASHER	1	
7	09164-13005	WASHER	1	
8	01517-06252	BOLT	2	
9	01517-06352	BOLT (6x35)	2	
10	36632-95501	CLAMP	1	OPT
11	09306-13002	BUSH	1	
12	61139-96301	CAP, drain	1	
13	09250-10012	CAP	1	
14	23131-93900	BOOT, clutch rod	1	
15	13632-93900	GROMMET, choke knob	1	
16	36612-93900	GROMMET, remocon harness	1	OPT
17	61117-93911	COVER, air intake	1	
18	61138-93900	COVER, water	1	
19	02112-06122	SCREW	1	
20	08322-21062	WASHER	1	

FIG. 22



26

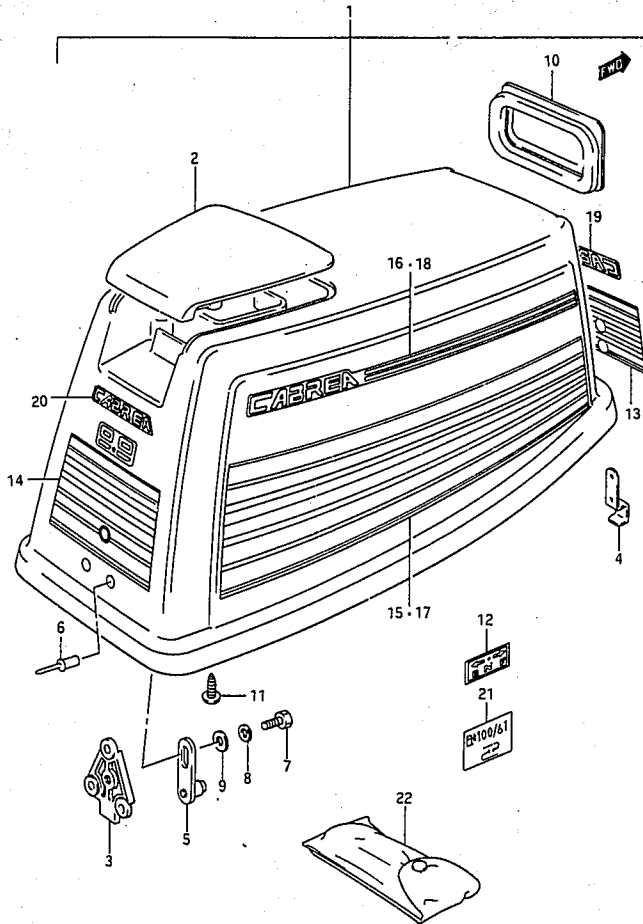
FIG. 22 ( D- 7) ENGINE COVER

REF.NO.	PART NO.	DESCRIPTION	Q'TY	REMARKS
1-1	61403-93810-10V	COVER SET, engine	1	DECAL:GOLD
1-2	61403-93820-33X	COVER SET, engine	1	DECAL:BLUE
1-3	61403-93830-34X	COVER SET, engine	1	DECAL:BLACK
2	61431-93901-10V	.HANDLE, tilt up	1	
3	61621-96302	.BRACKET, fastener	1	
4	61412-94300	.HOOK, engine cover	1	
5	61610-96310	.FASTENER	1	
6	09229-04018	.RIVET	5	
7	01107-06122	.BOLT	1	
8	08321-21062	.LOCK WASHER	1	
9	08322-21062	.WASHER	1	
10	61622-93901	.SEAL, recoil starter	1	
11	03242-06169	.SCREW	3	
12	21131-96003	.MARK, clutch shift	1	
13-1	61422-93920-2MN	.MARK, emblem,front (Gold)	1	DECAL:10V
13-2	61422-93920-8LB	.MARK, emblem,front (Blue)	1	DECAL:33X
13-3	61422-93920-2MP	.MARK, emblem,front (Gray)	1	DECAL:34X
14-1	61435-93920-2MN	.MARK, emblem,rear (Gold)	1	DECAL:10V
14-2	61435-93920-8LB	.MARK, emblem,rear (Blue)	1	DECAL:33X
14-3	61435-93920-2MP	.MARK, emblem,rear (Gray)	1	DECAL:34X
15-1	61443-93920-2MN	.DECAL, lower STBD (Gold)	1	DECAL:10V
15-2	61443-93920-8LB	.DECAL, lower STBD (Blue)	1	DECAL:33X
15-3	61443-93920-2MP	.DECAL, lower STBD (Gray)	1	DECAL:34X
16-1	61444-93920-2MR	.DECAL, upper STBD (Gold)	1	DECAL:10V
16-2	61444-93920-2MS	.DECAL, upper STBD (Blue)	1	DECAL:33X
16-3	61444-93920-2MT	.DECAL, upper STBD (Gray+Red)	1	DECAL:34X

FIG. 22

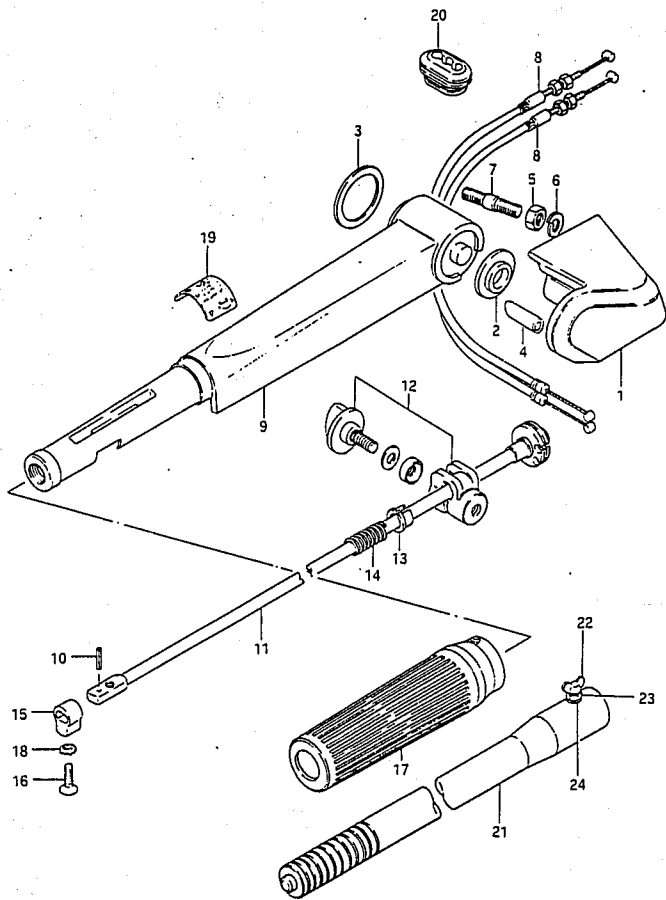
27

FIG. 22 ( D- 8) ENGINE COVER



REF.NO.	PART NO.	DESCRIPTION	Q'TY	REMARKS
17-1	61453-93920-2MN	.DECAL, lower port (Gold)	1	DECAL:10V
17-2	61453-93920-8LB	.DECAL, lower port (Blue)	1	DECAL:33X
17-3	61453-93920-2MP	.DECAL, lower port (Gray)	1	DECAL:34X
18-1	61454-93920-2MR	.DECAL, upper port (Gold)	1	DECAL:10V
18-2	61454-93920-2MS	.DECAL, upper port (Blue)	1	DECAL:33X
18-3	61454-93920-2MT	.DECAL, upper port (Gray+Red)	1	DECAL:34X
19-1	61441-93910-7ZR	.MARK, ornament, front (Black)	1	DECAL:10V
19-2	61441-93910-8LB	.MARK, ornament, front (Blue)	1	DECAL:33X
19-3	61441-93910-2MP	.MARK, ornament, front (Gray)	1	DECAL:34X
20-1	61441-93930-7ZR	.MARK, ornament, rear (Black)	1	DECAL:10V
20-2	61441-93930-8LB	.MARK, ornament, rear (Blue)	1	DECAL:33X
20-3	61441-93930-2MP	.MARK, ornament, rear (Gray)	1	DECAL:34X
21	65327-98400	.MARK, mix ratio cover	1	
22	09800-81800	TOOL SET	1	

FIG. 23

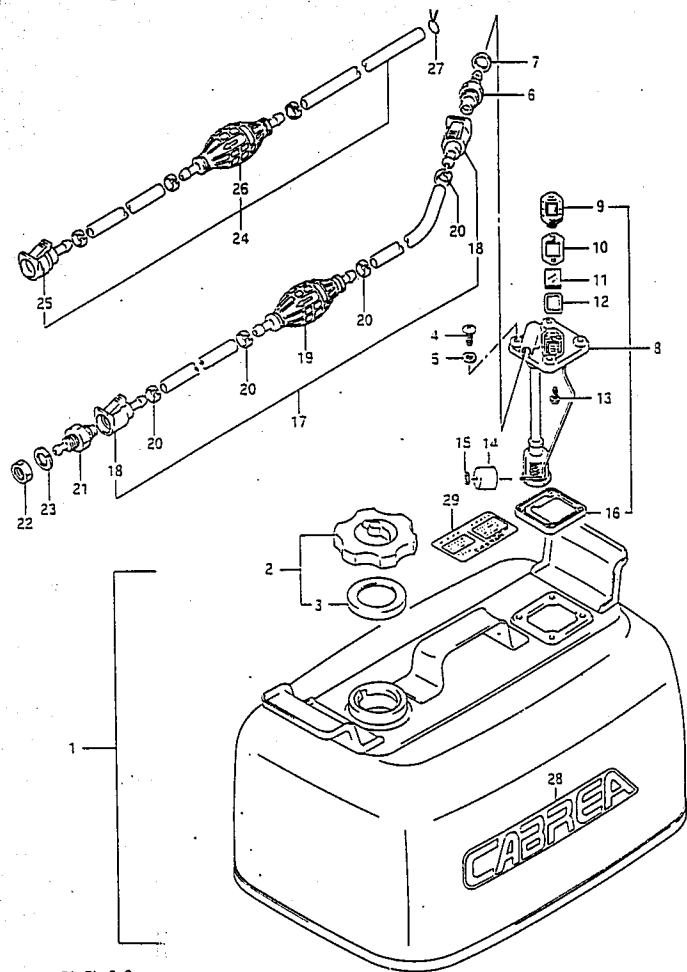


28

FIG. 23 ( D- 9) HANDLE

REF.NO.	PART NO.	DESCRIPTION	Q'TY	REMARKS
1	63121-93900-10V	COVER, tiller handle	1	
2	63114-94300	SPACER, handle cover	1	
3	63115-96301	SPACER	1	
4	63117-96300	COVER, stop switch wire	1	
5	09140-08016	NUT	2	
6	09162-08007	LOCK WASHER	2	
7	09108-08077	STUD BOLT	2	
8	63610-96320	CABLE ASSY, throttle	2	
9	63111-96311-10V	HANDLE, tiller	1	
10	63227-93200	PIN, handle rod	1	
11	63220-96300	ROD, handle	1	
12	63240-96300	ADJUSTER SET, handle grip	1	
13	63225-93200	BUSH, handle rod	1	
14	09440-12027	SPRING	1	
15	63223-93201	STOPPER, handle rod	1	
16	09126-06006	SCREW	1	
17	63210-93901	GRIP, handle	1	
18	09163-06001	LOCK WASHER	1	
19	63215-93400	MARK, handle	1	
20	63625-93900	GROMMET, throttle cable	1	
21	63300-93900	BAR ASSY, extension	1	OPT
22	09119-06059	BOLT	1	OPT
23	09140-10032	NUT	1	OPT
24	09162-10001	LOCK WASHER	1	OPT

FIG. 24



CABREA EL 9.9

29

FIG. 24 ( D-10) FUEL TANK

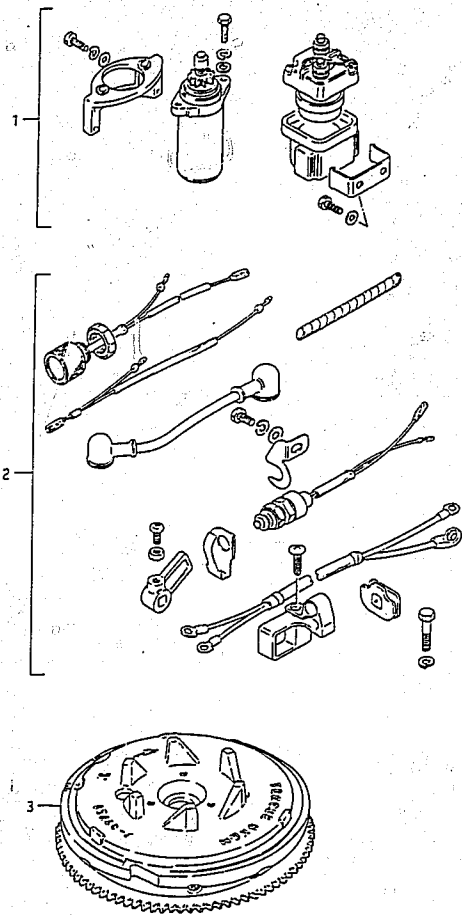
REF.NO.	PART NO.	DESCRIPTION	Q'TY	REMARKS
1	65800-92820	TANK SET, fuel (24L)	1	6.3U.S GAL/5.3 IMP GAL
2	65510-92D00	.CAP ASSY, separate tank	1	
3	65561-92D00	..GASKET, tank cap	1	
4	02152-06162	.SCREW	4	
5	09168-06026	.GASKET	4	
6	65720-94411	.CONNECTOR, fuel	1	
7	09168-12015	.GASKET, connector	1	
8	65850-92D01	.GAUGE ASSY, fuel	1	
9	65855-92D00	..COVER, gauge	1	
10	65854-92D10	..GASKET	1	
11	65853-92D00	..LENS	1	
12	65854-92D00	..GASKET, lens	1	
13	03221-04086	..SCREW	2	
14	65864-92D00	..FLOAT	1	
15	65866-92D00	..PUSH, nut	1	
16	65871-92D00	..GASKET, fuel	1	
17	65700-87D15	HOSE, fuel	1	W/TANK
18	65750-94403	.CONNECTOR, fuel	2	W/TANK
19	65770-95503	.PUMP, squeeze	1	W/TANK
20	65781-98500	.CLIP	4	W/TANK
21	65720-94401	CONNECTOR, fuel	1	
22	08310-22102	.NUT	1	
23	08321-21102	.LOCK washer	1	
24	65700-98581	HOSE, fuel	1	OPT
25	65750-94403	CONNECTOR, fuel	1	OPT
26	65770-93902	.PUMP, squeeze	1	OPT
27	09401-11402	CLIP	1	OPT
28	61441-93940	MARK, ornament, fuel tank	1	
29	65316-87D50	MARK, fuel caution	1	

CABREA EL 9.9

D10

FIG. 25

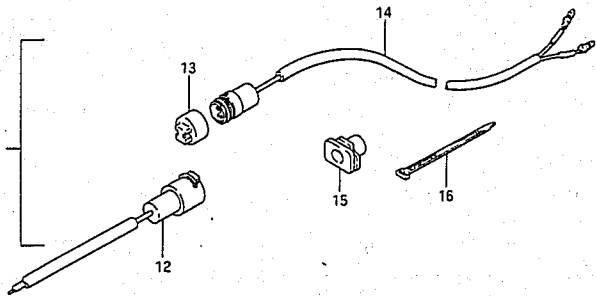
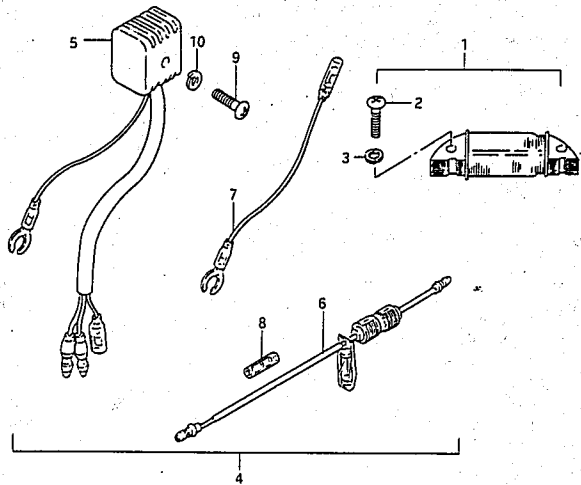
FIG. 25 ( E- 2) OPTIONAL : ELECTRICAL (1)



REF.NO.	PART NO.	DESCRIPTION	Q'TY	REMARKS
1	31101-93900	MOTOR SET, starter	1	
2	33800-93900	SWITCH, starter/cable set	1	
3	32102-93913	FLYWHEEL	1	



FIG. 26



31.

FIG.26 ( E- 3) OPTIONAL : ELECTRICAL (2)

REF.NO.	PART NO.	DESCRIPTION	Q'TY	REMARKS
1	32200-93901	COIL SET, lighting	1	
2	02112-06258	.SCREW	2	
3	08321-21067	.LOCK WASHER	2	
4	32801-93902	RECTIFIER SET	1	
5	32800-95001	.RECTIFIER ASSY	1	
6	36740-95252	.CASE ASSY, fuse	1	
7	36898-93300	.LEAD, receptacle earth	1	
8	37132-93700	.CONNECTOR, lead	1	
9	02112-05252	.SCREW	1	
10	08321-21052	.WASHER	1	
11	39600-93900	RECEPTACLE SET	1	
12	39601-93902	.RECEPTACLE ASSY, lighting	1	
13	36634-93910	.CAP, lighting receptacle	1	
14	39602-93900	.PLUG ASSY, lighting	1	
15	39603-93900	.GROMMET	1	
16	36632-95501	.CLAMP	1	

FIG. 27 ( E- 4) OPTIONAL : ELECTRICAL (3)

REF.NO.	PART NO.	DESCRIPTION	Q'TY	REMARKS
1	32500-95722	REGULATOR ASSY, voltage	1	
2	32590-93900	STAY, voltage	1	
3	01107-06127	BOLT	2	
4	08310-11067	NUT	2	
5	08321-21067	LOCK WASHER	2	
6	08322-21067	WASHER	2	
7	36630-93901	WIRING HARNESS ASSY, RE	1	
8	36631-94300	.CAP	1	
9	36990-87000	TERMINAL & SLEEVE SET	1	

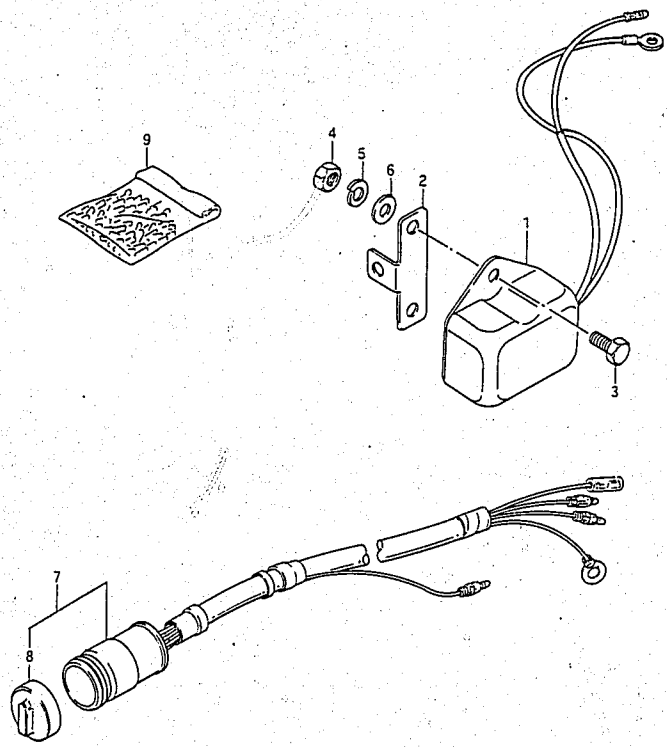
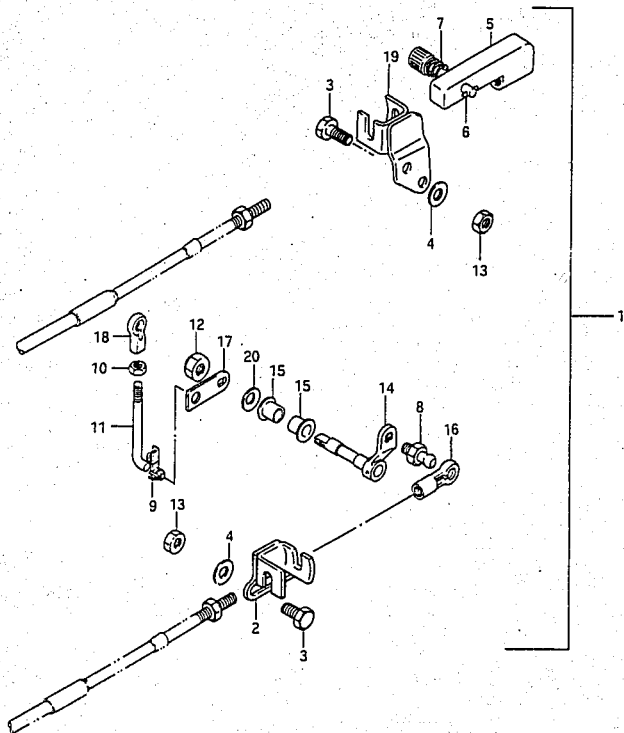


FIG. 28

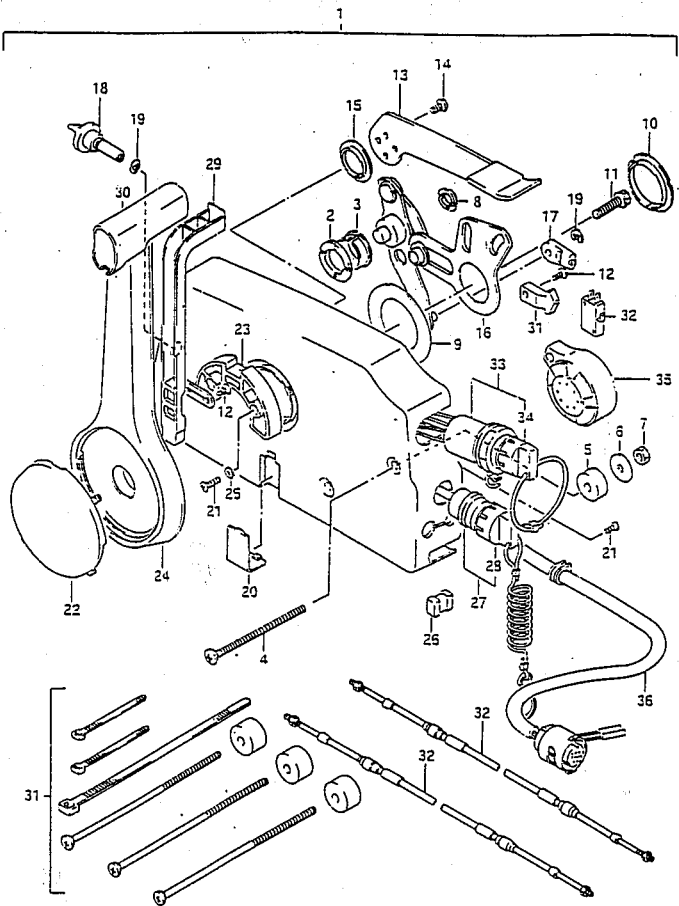
33

FIG. 28 ( E - 5) OPTIONAL : REMOTE CONTROL PARTS



REF.NO.	PART NO.	DESCRIPTION	Q'TY	REMARKS
1	67130-93901-10V	REMOTE CONTROL PARTS ASSY	1	
2	67340-93900	.HOLDER, remo-con cable	1	
3	09100-06115	.BOLT (6x16)	4	
4	09160-06015	.WASHER (6.5x18x1.5)	4	
5	67440-93900	.GUIDE, clutch cable	1	
6	09205-02006	..PIN	1	
7	09440-09025	..SPRING	1	
8	09119-06047	.PAWL PIVOT	1	
9	09209-05017	.PIN	1	
10	09140-05001	.NUT	1	
11	67413-93900	.ROD, remo-con throttle	1	
12	09159-08026	.NUT	1	
13	09140-06004	.NUT	4	
14	67410-93500	.LEVER, remo-con throttle	1	
15	09306-08003	.BUSH	2	
16	67466-95200	.CONNECTOR, remo-con throttle	1	
17	67417-93900	.ARM, remo-con throttle	1	
18	19131-95502	.CONNECTOR, throttle lever	1	
19	67270-93910	.HOLDER, REMO-CON CABLE	1	
20	09164-08017	.WASHER	1	

FIG. 29 ( E- 6) OPTIONAL : REMOTE CONTROL



Q'TY

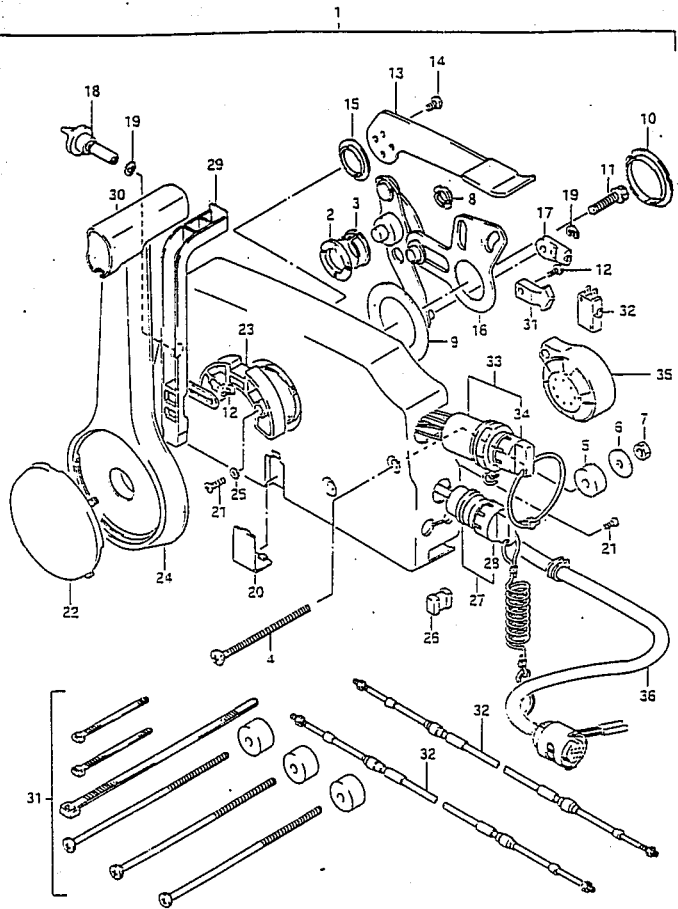
REMARKS

REF.NO.	PART NO.	DESCRIPTION	Q'TY	REMARKS
1	67200-98100-10V	REMOTE CONTROL BOX ASSY	1	
2	67232-95600	.BUSH	1	
3	67232-95620	.BUSH	1	
4	67296-95600	.SCREW	3	
5	67294-95600	.SPACER	3	
6	67288-94310	.WASHER	3	
7	09140-06004	.NUT	3	
8	67232-95610	.BUSH	2	
9	67253-95600	.WASHER	1	
10	67252-95600	.BUSH	2	
11	09100-08232	.BOLT	1	
12	67296-94300	.SCREW	2	
13	67241-95650	.LEVER, free throt.	1	
14	09126-05003	.SCREW	2	
15	67243-95600	.BUSH	1	
16	67220-95600	.PLATE ASSY	1	
17	67275-95600	.END, cable	2	
18	67223-95600	.KNOB, brake ADJ	1	
19	67292-94300	.E RING	3	
20	67267-95600	.COVER, wire	1	
21	67296-95610	.SCREW	7	
22	67257-95610	.CAP, lever	1	
23	67256-95600	.HOLDER, nut lock	1	
24	67251-95670	.LEVER, handle	1	

FIG. 29

35

FIG. 29 ( E-7) OPTIONAL : REMOTE CONTROL



REF.NO.	PART NO.	DESCRIPTION	Q'TY	REMARKS
25	67297-95600	.WASHER	2	
26	67273-95600	.SPACER	1	
27	37820-94403	.SWITCH ASSY, emergency	1	
28	37823-94400	..CAP & ROPE	1	
29	67255-95600	.ARM, neutral lock	1	
30	67261-95610	.GRIP	1	
31	67140-95600	ATTACHMENT, remo-con kit	1	
32-1	67320-95500	CABLE ASSY, remocon 6F (1.8M)	2	
32-2	67320-95510	CABLE ASSY, remocon 7F (2.1M)	2	
32-3	67320-95520	CABLE ASSY, remocon 8F (2.4M)	2	
32-4	67320-95530	CABLE ASSY, remocon 9F (2.7M)	2	
32-5	67320-95540	CABLE ASSY, remocon 10F (3.1M)	2	
32-6	67320-95550	CABLE ASSY, remocon 11F (3.4M)	2	
32-7	67320-95560	CABLE ASSY, remocon 12F (3.7M)	2	
32-8	67320-95570	CABLE ASSY, remocon 13F (4.0M)	2	
32-9	67320-95580	CABLE ASSY, remocon 14F (4.3M)	2	
32-10	67320-95590	CABLE ASSY, remocon 15F (4.6M)	2	
32-11	67320-95600	CABLE ASSY, remocon 16F (4.9M)	2	
32-12	67320-95610	CABLE ASSY, remocon 17F (5.2M)	2	
32-13	67320-95620	CABLE ASSY, remocon 18F (5.5M)	2	
32-14	67320-95630	CABLE ASSY, remocon 19F (5.8M)	2	
32-15	67320-95640	CABLE ASSY, remocon 20F (6.1M)	2	
32-16	67320-95650	CABLE ASSY, remocon 22F (6.7M)	2	